

## Refrigeration Equipment Slide Top Bottle Cooler 50 " Long

ITEM # \_\_\_\_\_

MODEL # \_\_\_\_\_

NAME # \_\_\_\_\_

SIS # \_\_\_\_\_

AIA # \_\_\_\_\_



738267 (KCHBC50)

Slide Top Bottle Cooler 50  
" Long

### Short Form Specification

**Item No.** \_\_\_\_\_

50" wide Bottle cooler with 2 sliding tops. Exterior back and side panels in painted steel, exterior bottom panel in galvanized steel, top panel in 304 stainless steel; interior side panels in 430 stainless steel, interior back panel, interior bottom panel and worktop in 304 stainless steel. Fin & tube condenser to improve the performances in high temperature environments. Automatic Defrost Cooling System and electronic temperature control. Vinyl-coated steel adjustable dividers and locking lids.

R600a gas in refrigeration circuit.

ETL Safety and Sanitation certified.

3/5 Years warranty.

### Main Features

- Fin & Tube Condenser improves performance in high temperature environments.
- Automatic Defrost Cooling System provides worry-free performance.
- Vinyl-Coated Steel adjustable dividers to customize bottle storage effortlessly.
- Locking doors.
- External temperature display.
- Cabinet completely insulated with high density polyurethane for low environmental impact.
- Locking lids.

### Construction

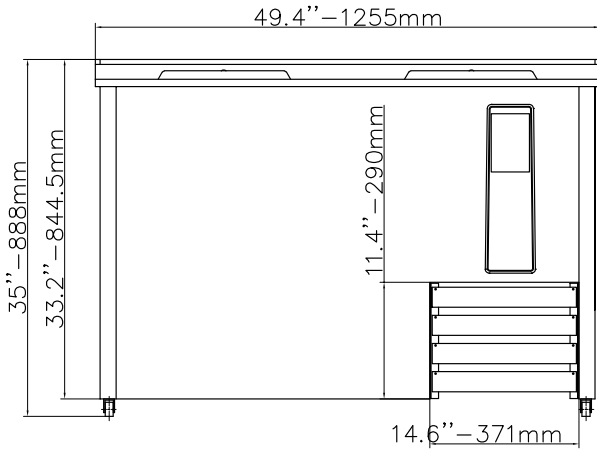
- Pre-wired heavy duty power cord.
- Electronic control to select temperatures.

### Sustainability

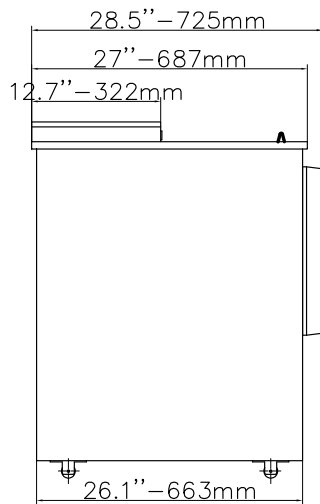
- CFC and HCFC free (ecological refrigerant type: R600a).
- High efficiency components to minimize the energy consumption still guaranteeing the highest performances.

APPROVAL: \_\_\_\_\_

**Front**

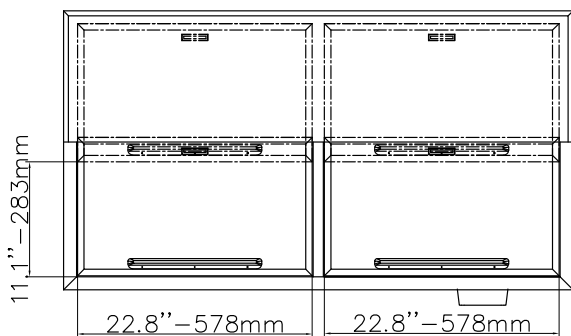


**Side**



EI = Electrical connection

**Top**



## Electric

<b>Supply voltage:</b>	115 V/1 ph/60 Hz
<b>738267 (KCHBC50)</b>	
<b>Electrical power, max:</b>	0.31 kW
<b>Plug type:</b>	USA NEMA 5-15P

## Capacity:

<b>Gross capacity:</b>	13.7 cu.feet
<b>Number and type of grids (included):</b>	2 - 513x605

## Key Information:

<b>External dimensions, Width:</b>	49 7/16" (1255 mm)
<b>External dimensions, Depth:</b>	28 9/16" (725 mm)
<b>External dimensions, Height:</b>	34 15/16" (888 mm)
<b>Number and type of doors:</b>	2
<b>Internal Dimensions (depth):</b>	26 1/16" / (662 mm)
<b>Internal Dimensions (height):</b>	22 15/16" / (583 mm)
<b>Internal Dimensions (width):</b>	45 3/8" / (1153 mm)
<b>Shipping height:</b>	39 3/4" (1010 mm)
<b>Shipping weight:</b>	234 lbs (106 kg)
<b>Shipping volume:</b>	34.04 ft <sup>3</sup> (0.96 m <sup>3</sup> )
<b>Type of external material:</b>	Black Prepainted Steel
<b>Type of internal material:</b>	Stainless Steel
<b>Warranty:</b>	3 / 5 years
<b>Approvals</b>	ETL C&US;ETL SANITATION

## Refrigeration Data

<b>Compressor power:</b>	1/8 hp
<b>Operating temperature min.:</b>	32 °F
<b>Operating temperature max.:</b>	41 °F
<b>Condenser type:</b>	Fin & tube
<b>Defrost type:</b>	Auto Defrost

## Sustainability

<b>Current consumption:</b>	3 Amps
<b>Refrigerant type:</b>	R600a
<b>GWP Index:</b>	3
<b>Refrigerant weight:</b>	70 g



Refrigeration Equipment  
Slide Top Bottle Cooler 50" Long

The company reserves the right to make modifications to the products without prior notice. All information correct at time of printing.